

**PARTS CATALOGUE FOR
COMPUTERIZED SEWING MACHINE
EMBROIDERY MACHINE**

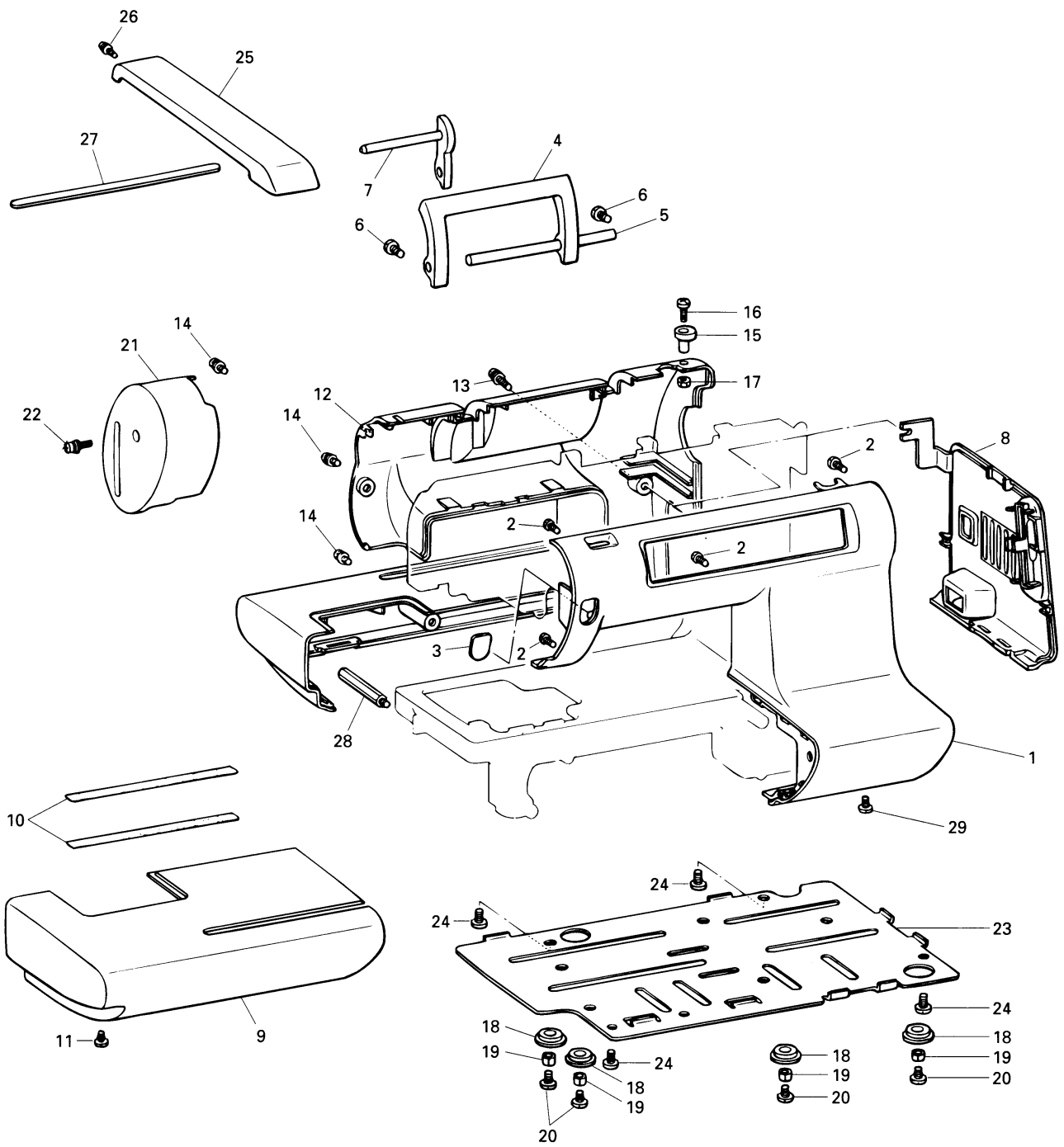
SE3, BL60E

CONTENTS

(1) PRINCIPAL PARTS AND DISPLAY	2
(2) NEEDLE BAR AND PRESSER BAR.....	4
(3) BALANCE, ROTARY HOOK AND UPPER SHAFT ..	6
(4) VERTICAL SHAFT, BOBBIN WINDER AND THREADING MECHANISM	8
(5) LAMP, ELECTRONIC PARTS, MOTOR AND POWER SUPPLY	10
(6) EMBROIDERY MECHANISM	12
(7) OTHER PARTS	14

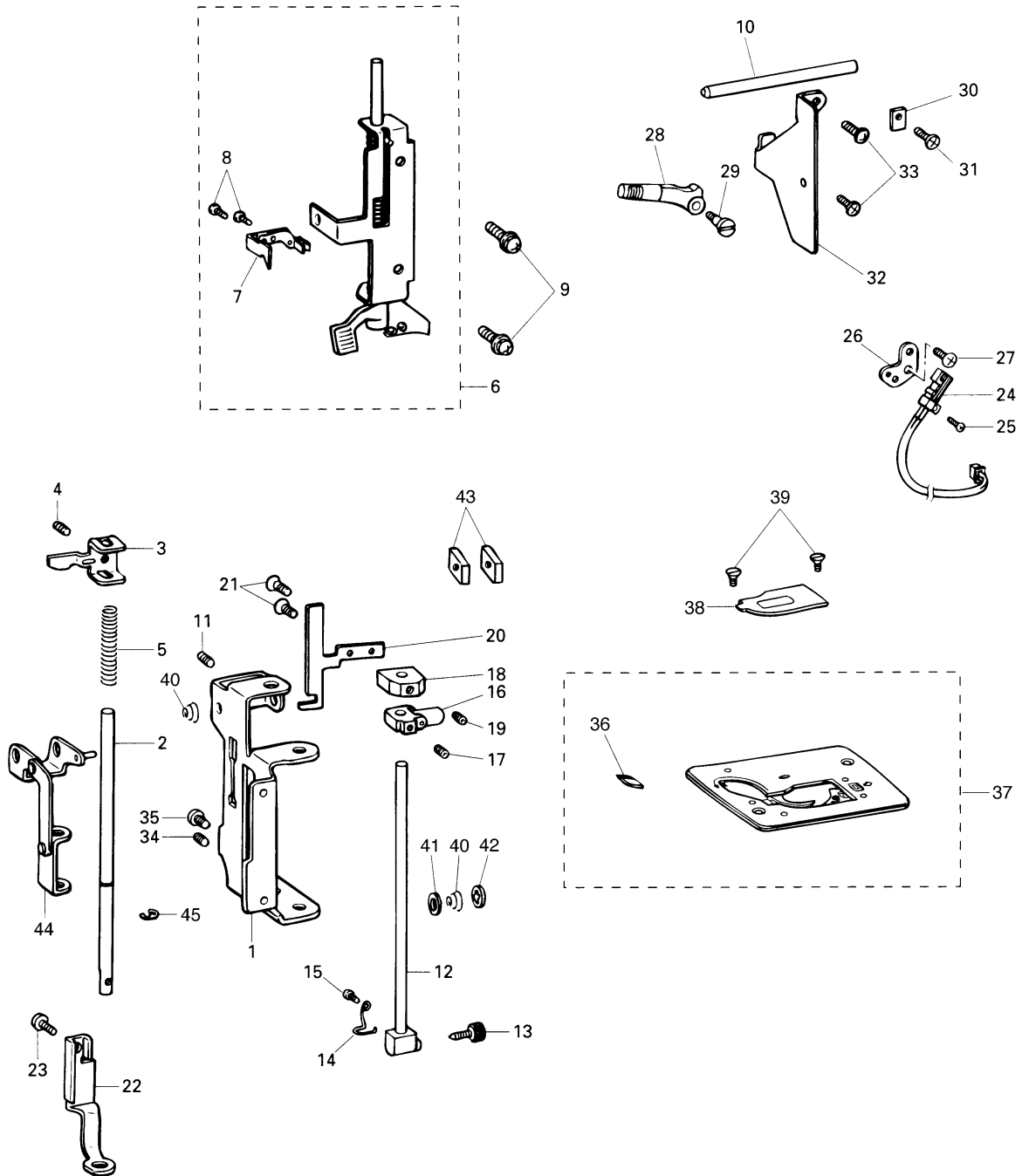
(1) PRINCIPAL PARTS AND DISPLAY

No.	CODE	NAME	REMARKS
1	X58642058	Front cover (BL60E)	
	X58642059	Front cover (SE3)	
2	138444001	Screw 4 × 14	
3	X58645054	SS button (Arrow)	
	X58645053	SS button (English)	
4	X58643051	Carrying handle	
5	X58644051	Carrying handle shaft	
6	052401406	Screw 4 × 14	
7	X58708051	Spool stand bar	
8	X58647153	Belt cover	
9	X58648151	Main cover	
10	X58649051	Groove cover	
11	085300815	Screw 3 × 8	
12	X59801155	Rear cover (BL60E)	
	X59801156	Rear cover (SE3)	
13	052401406	Screw 4 × 14	
14	052400806	Screw 4 × 8	
15	121846051	Bobbin presser	
16	062301616	Screw M3 × 16	
17	021300106	Nut 3	
18	X55942151	Rubber cushion	
19	X56474051	Spacer	
20	X57908051	Screw 4 × 10	
21	X58653052	Face plate	
22	052400806	Screw 4 × 8	
23	X58655051	Base cover	
24	X57908051	Screw 4 × 10	
25	X58657152	X carriage cover	
26	052300606	Screw 3 × 6	
27	X58765051	Slider plate	
28	X59368051	Stud bolt	
29	085300815	Screw 3 × 8	



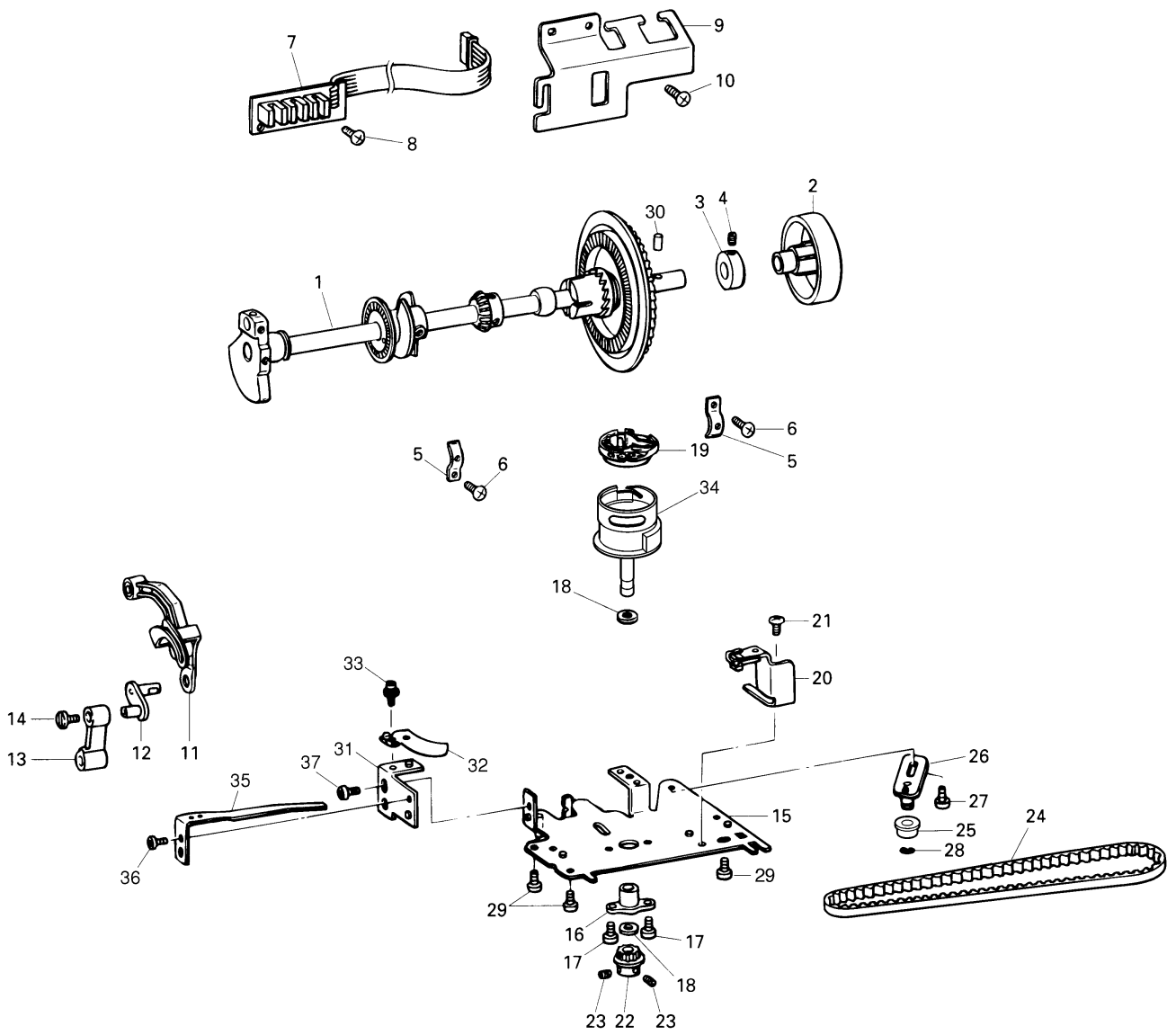
(2) NEEDLE BAR AND PRESSER BAR

No.	CODE	NAME	REMARKS	No.	CODE	NAME	REMARKS
1	XA0415001	Presser unit holder		44	XA3627051	Presser link assembly	
2	XA3623051	Presser bar		45	048040346	Stop ring E4	
3	XA3626051	Presser bar bracket					
4	014400632	Screw 4 × 6					
5	XA3624051	Presser bar spring					
6	XA0419051	Thread guide assembly					
7	XA0445101	Hook assembly					
8	037200416	Screw 2 × 4					
9	052300606	Screw 3 × 6					
10	X58772151	Thread take-up lever stud					
11	014400632	Screw 4 × 6					
12	X55185001	Needle bar assembly					
13	XA4052051	Needle clamp screw					
14	X55187150	Needle bar thread guide					
15	062020416	Screw 2 × 4					
16	XA0425151	Needle bar block assembly					
17	014400432	Screw 4 × 4					
18	XA0429050	Positioning supporter					
19	012400432	Screw 4 × 4					
20	XA0430051	Needle threader position setter					
21	004260405	Screw 26 × 4					
22	XA3625001	Embroidery presser					
23	060400616	Screw 4 × 6					
24	XC0298051	Presser switch assembly					
25	062260516	Screw 2.6 × 5					
26	X58676051	Presser switch holder					
27	X57908051	Screw 4 × 10					
28	X58677051	Presser foot lever					
29	X55168051	Stud screw M4					
30	X50532051	Shaft presser plate					
31	X57908051	Screw 4 × 10					
32	XA0431051	Face plate base plate					
33	X57908051	Screw 4 × 10					
34	012400632	Screw 4 × 6					
35	052301606	SCREW PAN(S/P WASHER) M3 x 16	CHG				
36	X80321051	Lower thread cutter					
37	XA3633051	Needle plate assembly					
38	X56828151	Needle plate cover					
39	X50487051	Screw M4					
40	X57822101	Needle bar presser spring					
41	X58511100	Washer					
42	XD0573051	WASHER	050053				
43	XA1298050	Spacer					



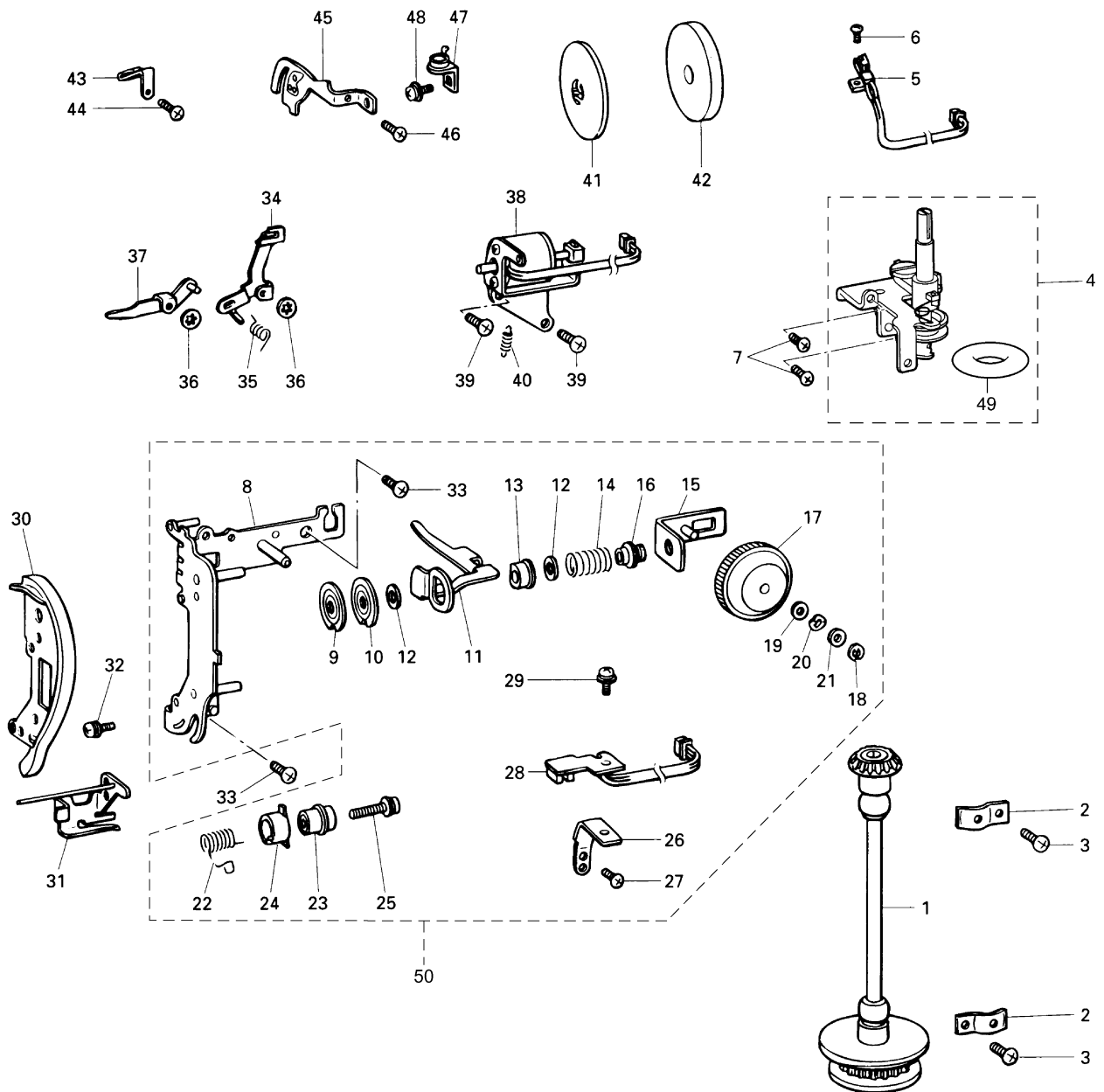
(3) BALANCE, ROTARY HOOK AND UPPER SHAFT

No.	CODE	NAME	REMARKS
1	XA3719151	Upper shaft assembly	
2	XZ0076051	Hand wheel	
3	130096151	Collar	
4	014400632	Screw 4 × 6	
5	132421051	Lower shaft bushing presser	
6	060401216	Screw 4 × 12	
7	XC0299151	PCB ASSY : NP 214	CHG
8	060400816	Screw 4 × 8	
9	X58763051	Shutter cover	
10	X57908051	Screw 4 × 10	
11	X58776151	Thread take-up assembly	
12	X59571051	Needle bar crank	
13	X55197050	Needle bar crank rod	
14	X59572051	Screw 3.57	
15	XA6697051	Rotary hook shaft frame assembly	
16	XA6698050	Shaft supporter	
17	060300616	Screw 3 × 6	
18	137805051	Spacer	
19	XA5651151	Inner rotary hook assembly	
20	X59803001	Inner rotary hook bracket assembly	
21	060400616	Screw M4 × 6	
22	138417050	Rotary hook shaft pulley	
23	014400632	Screw 4 × 6	
24	X58784051	Timing belt 200 XL015	
25	X50079050	Belt tension pulley	
26	XA3645051	Pulley plate assembly	
27	052300606	Screw 3 × 6	
28	048060346	Stop ring E6	
29	X57908051	Screw 4 × 10	
30	X51920051	Needle roller	
31	XA3660050	Fixed blade holder	
32	XA3661150	Inner rotary hook holder	
33	052300606	Screw 3 × 6	
34	XA6699051	Outer rotary hook assembly	
35	XA3664051	Lower thread guide plate assembly	
36	060300616	Screw 3 × 6	
37	060400616	Screw 4 × 6	
38	X58703001	SOLENOID:19LC-12V	ADD



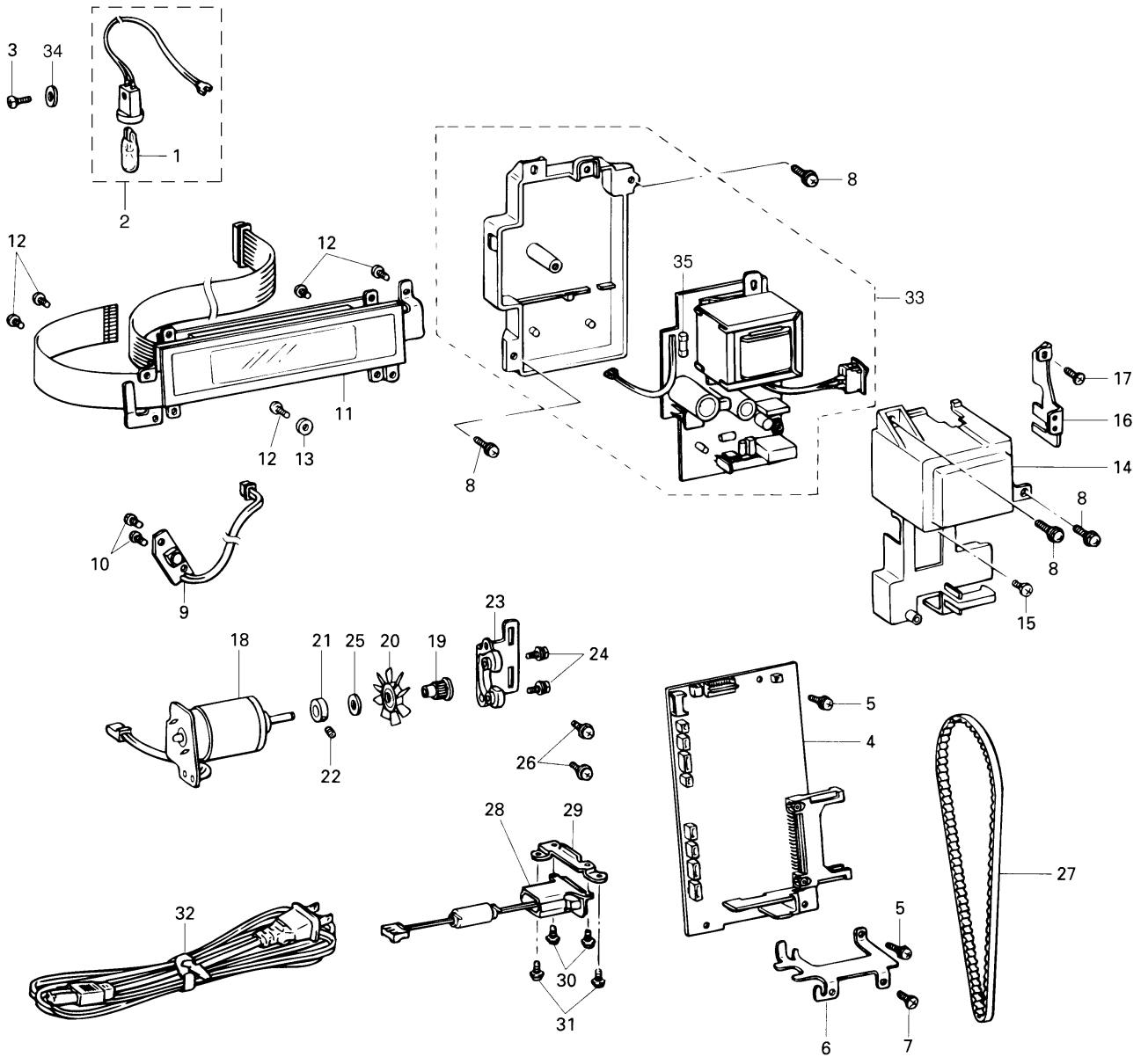
(4) VERTICAL SHAFT, BOBBIN WINDER AND THREADING MECHANISM

No.	CODE	NAME	REMARKS	No.	CODE	NAME	REMARKS
1	X58785051	Vertical shaft assembly		45	X58706151	Thread guide plate B assembly	
2	132421051	Lower shaft bushing presser		46	085300815	Screw 3 × 8	
3	060401216	Screw 4 × 12		47	X53252051	Spool guide assembly	
4	X58787051	Bobbin winder assembly		48	052300606	Screw 3 × 6	
5	X56202051	Bobbin winder switch assembly		49	120448051	Rubber band	
6	062260516	Screw 2.6 × 5		50	X58680251	THREAD GUIDE ASSY	ADD
7	X57908051	Screw 4 × 10					
8	X58681151	Thread guide plate sub assembly					
9	XA0083051	THREAD TENSION DISC A	CHG				
10	XA0084051	THREAD TENSION DISC B	CHG				
11	X58686051	Thread tension release plate A	CHG				
12	XD0573051	WASHER	050053				
13	137881051	TENSION DISC WASHER	CHG				
14	X58687151	THREAD TENSION SPRING	CHG				
15	X58688051	Thread tension plate assembly					
16	137878051	Thread tension adjusting screw					
17	X55253053	Thread tension dial					
18	048030346	RETAINING RING, E3	CHG				
19	XZ0133050	WASHER	CHG				
20	137991051	SPRING WASHER	CHG				
21	025040133	Washer, PLAIN S 4	CHG				
22	X59432051	Thread take-up spring					
23	X53828051	Thread take-up spring case					
24	X58316001	THREAD CUTTING SHUTTER	CHG				
25	0A4402006	SCREW, PAN (S/P WASHER) M4 x 20	CHG				
26	X58691051	Thread breakage sensor holder					
27	060300616	SCREW, BIND M3 x 6	CHG				
28	XC0100151	PCB ASSY:THREAD SENSOR	CHG				
29	052300606	SCREW, PAN (S/P WASHER) M3 x 6	CHG				
30	X58694051	Thread guide cover					
31	X58804051	Arm thread guide assembly					
32	0A430080	Screw 3 × 8 DA					
33	X57908051	Screw 4 × 10					
34	X58696151	Thread tension release plate B					
35	X58697151	Spring B					
36	120454051	Stop ring CS					
37	X58698051	Thread tension release plate C assembly					
38	X58701051	Solenoid holder assembly					
39	X57908051	Screw 4 × 10					
40	X58704051	Spring					
41	X55260152	Spool presser C					
42	X57045051	Felt					
43	X59416051	Thread guide plate A					
44	X57372051	Screw 2.6 × 8					



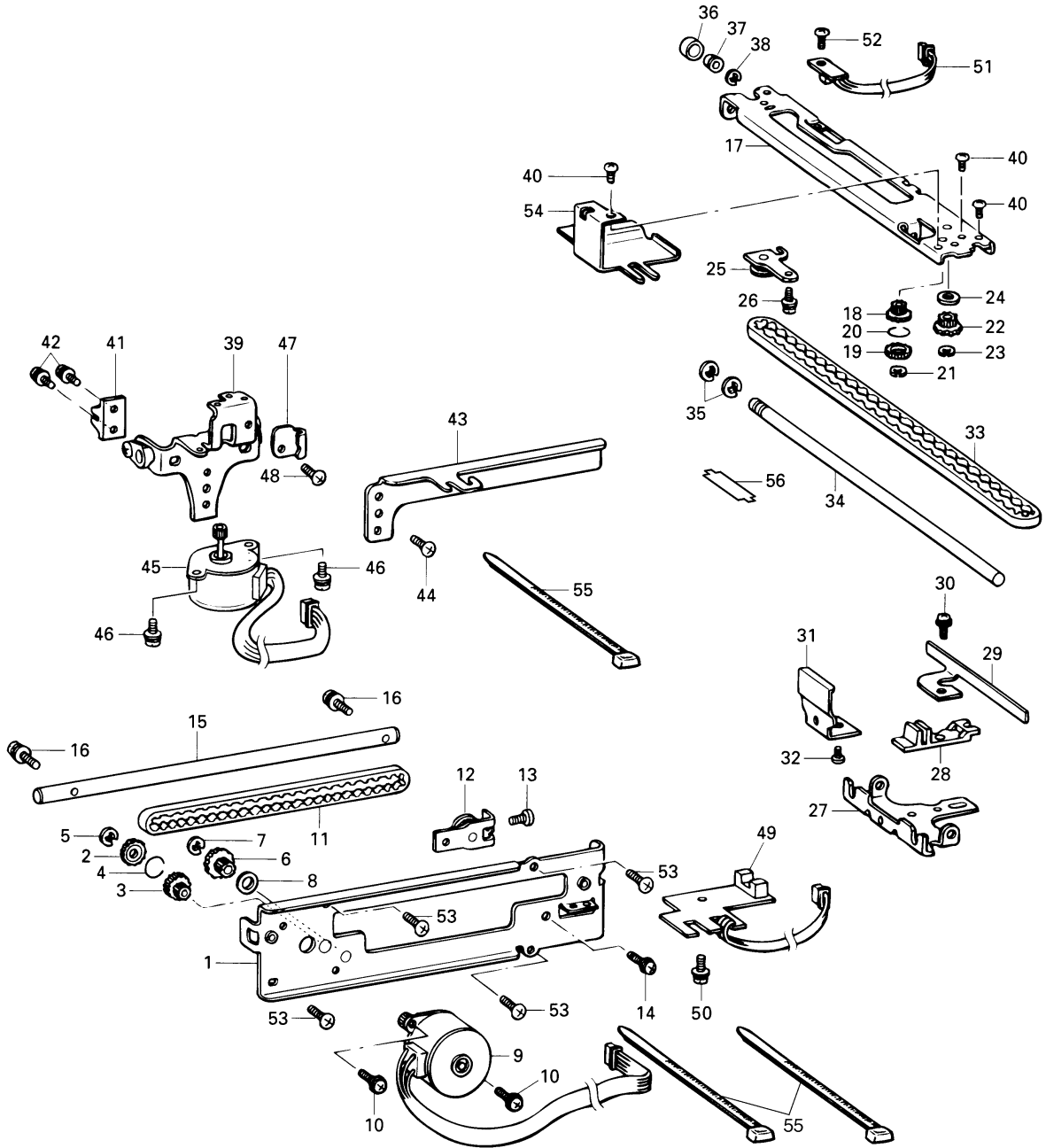
(5) LAMP, ELECTRONIC PARTS, MOTOR AND POWER SUPPLY

No.	CODE	NAME	REMARKS
1	X50228051	Sew-light bulb	
2	X58709051	Sew-light bulb assembly	
3	085301415	Screw 3 × 14	
4	X81362051	MAIN PC BOARD ASSEMBLY (BL60E)	040103
	X81361051	MAIN PC BOARD ASSEMBLY (SE3)	040103
5	052300606	Screw 3 × 6	
6	X58744051	Board installing plate	
7	X57908051	Screw 4 × 10	
8	052401205	Screw 4 × 12	
9	XC0098153	PCB ASSY : SS 214	CHG
10	X57300051	Screw 3 × 8	
11	X58749065	LCD module assembly (BL60E)	
	X58749066	LCD module assembly (SE3)	
12	085300815	Screw 3 × 8	
13	XZ0086050	Insulating washer 3	
14	XA0443051	Power supply unit cover	
15	085411415	Screw 4 × 14	
16	X59205051	Switch holder	
17	X57908051	Screw 4 × 10	
18	XC0659051	Motor unit for 120V	
19	X58759000	Motor pulley	
20	X58760000	Flange fan	
21	130676151	Collar	
22	014400632	Screw 4 × 6	
23	X58761051	Motor holder	
24	OA530100	Screw 3 × 10 DA	
25	X53838051	Washer	
26	052401205	Screw 4 × 12 DA	
27	X58762051	Driver belt B124 XXL4.8	
28	XA4068051	Inlet assembly for 120V	
29	X59577051	Inlet installing plate	
30	0A4300805	Screw 3 × 8	
31	060400816	Screw 4 × 8	
32	XA2815151	POWER SUPPLY CORD FOR UL, CS	CHG
	X59328151	POWER CORD	ADD
33	X81047202	Power supply unit assembly for 120V	
34	025030336	Washer	
35	XA4871051	G Fuse 3.15A for 120V	



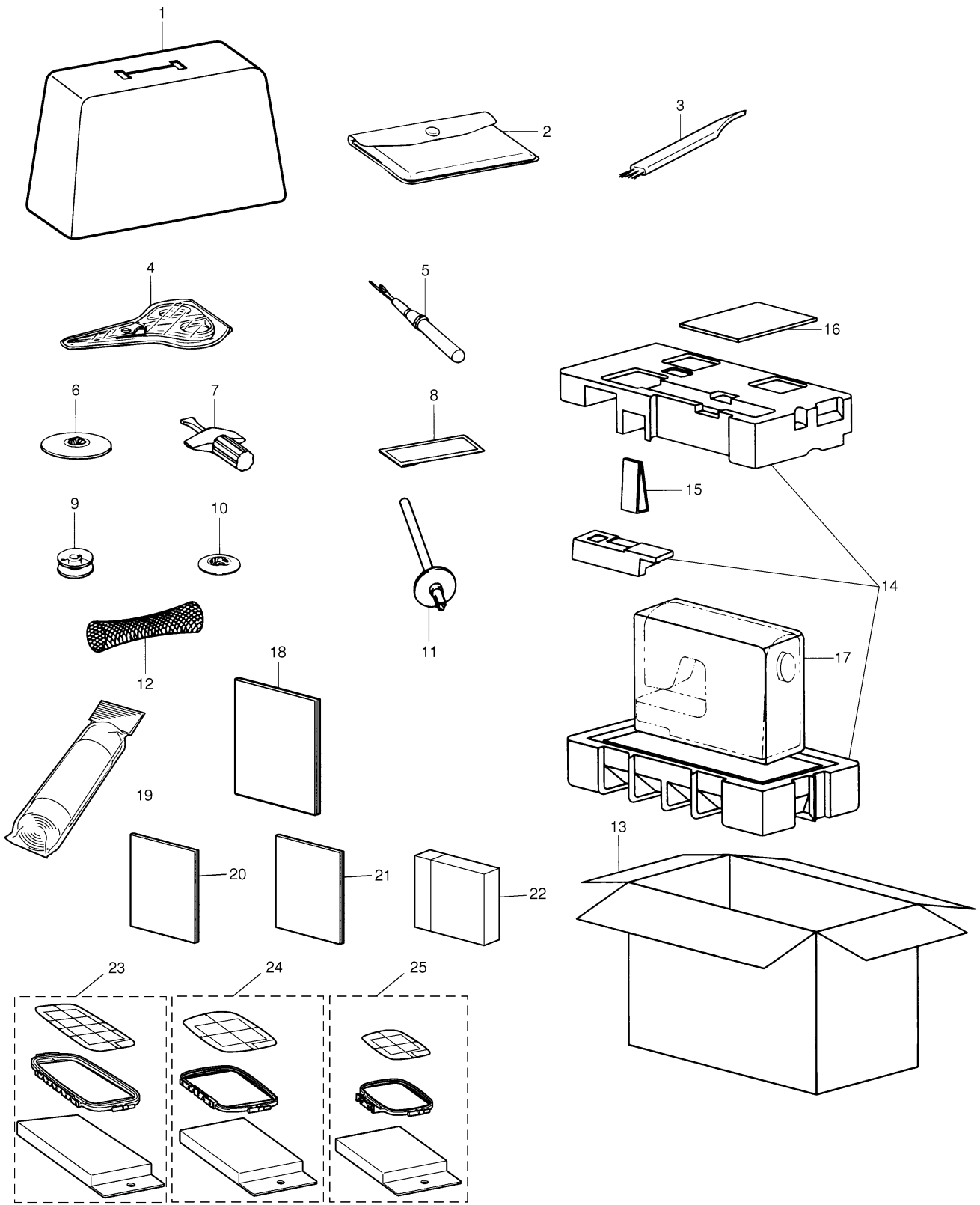
(6) EMBROIDERY MECHANISM

No.	CODE	NAME	REMARKS	No.	CODE	NAME	REMARKS
1	X58713151	Main frame assembly		45	XA3701001	Y pulse motor	
2	X56321050	Intermediate gear A		46	0A4300506	Screw 3 × 5	CHG
3	X56322050	Intermediate gear B		47	X58731050	Cord guide	
4	X56323051	Gear spring		48	060300516	Screw 3 × 5	
5	048020346	Stop ring E2		49	XC0301151	PCB ASSY : X SENSOR	CHG
6	X56352050	Y drive gear pulley		50	052300606	Screw 3 × 6	
7	048040346	Stop ring E4		51	X58259251	Y SENSOR BOARD ASSEMBLY	CHG
8	026060235	Washer 6		52	000020415	Screw M2 × 4	CHG
9	XA3694001	X pulse motor		53	X57908051	Screw 4 × 10	
10	052300606	Screw 3 × 6		54	XA3700050	Gear Cover	
11	X58715051	X belt 40S2M400		55	X53169050	Bind	
12	X58716051	X tension pulley plate assembly		56	XA4480051	Y presser plate	
13	060300816	Screw M3 × 8					
14	052300606	Screw M3 × 6					
15	X58718151	X guide shaft					
16	052401406	Screw 4 × 14					
17	X58719101	X carriage assembly					
18	X56321050	Intermediate gear A					
19	X56322050	Intermediate gear B					
20	X56323051	Gear spring					
21	048020346	Stop ring E2					
22	X56352050	Y drive gear pulley					
23	048040346	Stop ring E4					
24	026060235	Washer 6					
25	XA3695051	Y tension pulley plate assembly					
26	052300606	Screw 3 × 6					
27	XA3697001	Y carriage					
28	X58272150	Y slider					
29	X58724051	Y shutter					
30	052300606	Screw 3 × 6					
31	X58725001	Notched spring					
32	060300416	Screw 3 × 4					
33	X56354051	Y belt 40S2M360					
34	XA3698051	Y guide shaft					
35	048040346	Stop ring E4					
36	X51657050	Roller rubber					
37	X51658050	Roller wheel					
38	048025346	Stop ring E2.5					
39	XA3699051	X carriage support assembly					
40	060300516	Screw 3 × 5					
41	X58729050	X belt presser					
42	0A430080	Screw 3 × 8 DA					
43	X58730151	X initial shutter					
44	060300516	Screw 3 × 5					



(7) OTHER PARTS

No.	CODE	NAME	REMARKS
1	X59351052	SOFT COVER	CHG
2	XC4487051	ACCESSORY BAG	CHG
3	XA4527001	Brush	
4	XC1807121	SCISSORS	050041
5	X54243001	Ripper	
6	130012053	Spool presser A	
7	X53666051	Screwdriver	
8	X59535051	Needle set	
9	XA3812051	Bobbin	
10	130013153	Spool presser B	
11	130920051	Assist spool stand bar	
12	XA5523050	Net	
13	X60613062	Carton (BL60E)	
	X60613063	Carton (SE3)	
14	X60487150	Styrofoam	
15	X60484050	Carriage support carton	
16	X60614050	Space pad carton	
17	163562051	BAG 630X450T	CHG
18	191211023	Instruction manual (BL60E) (English/Spanish)	
	191211021	Instruction manual (SE3) (English/Spanish)	
19	X80914001	Backing material	
20	191211030	Quick start guide (SE3)	
21	191211061	Pattern manual (BL60E)	
	191211062	Pattern manual (SE3)	
22	X58317001	Card ASSY 5EX	
23	XA3733001	Embroidery frame ASSY (Large)	
24	XA3727001	Embroidery frame ASSY (Regular)	
25	XA3730001	Embroidery frame ASSY (Small)	
26	XC4135050	SIDE POLYSTYRENE FOAM	ADD
27	XC0969051	CANADA CLEAR SEAL	ADD



SE3, BL60E
H1060207